

# NCS Industrial

Committed to excellence since 1975.

# PCs

## Industrial and Marine Systems

**For industrial, military and Marine applications :**

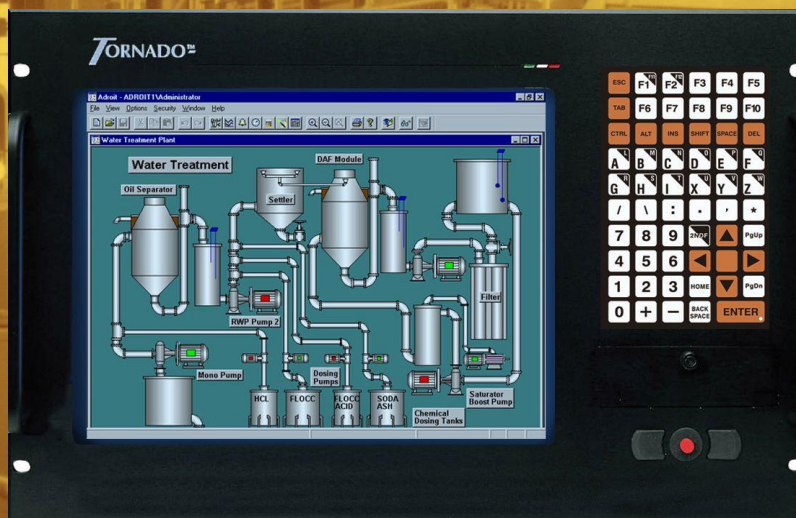
# *µ*icron-II / Atom-N2600 64 bit

Based on 3.5" SBC **ATOM N2600™** 1.6 GHz, fanless (3.5W)

NM10 chipset, DDR3 800 up to 2Gb, VGA/HDMI, Dual GigabitLAN, six USB 2.0, mini PCIe, 1 SATA 6Gb/s, 1 CF, four COM, PCI slot, Audio, RoHS

PS 85-265 Vac / +12 Vdc / +24 Vdc / -48 Vdc, O.T. -10°C to +65°C

Systems are available with or without TFT panel (6.4" to 23") and Touchscreen option.



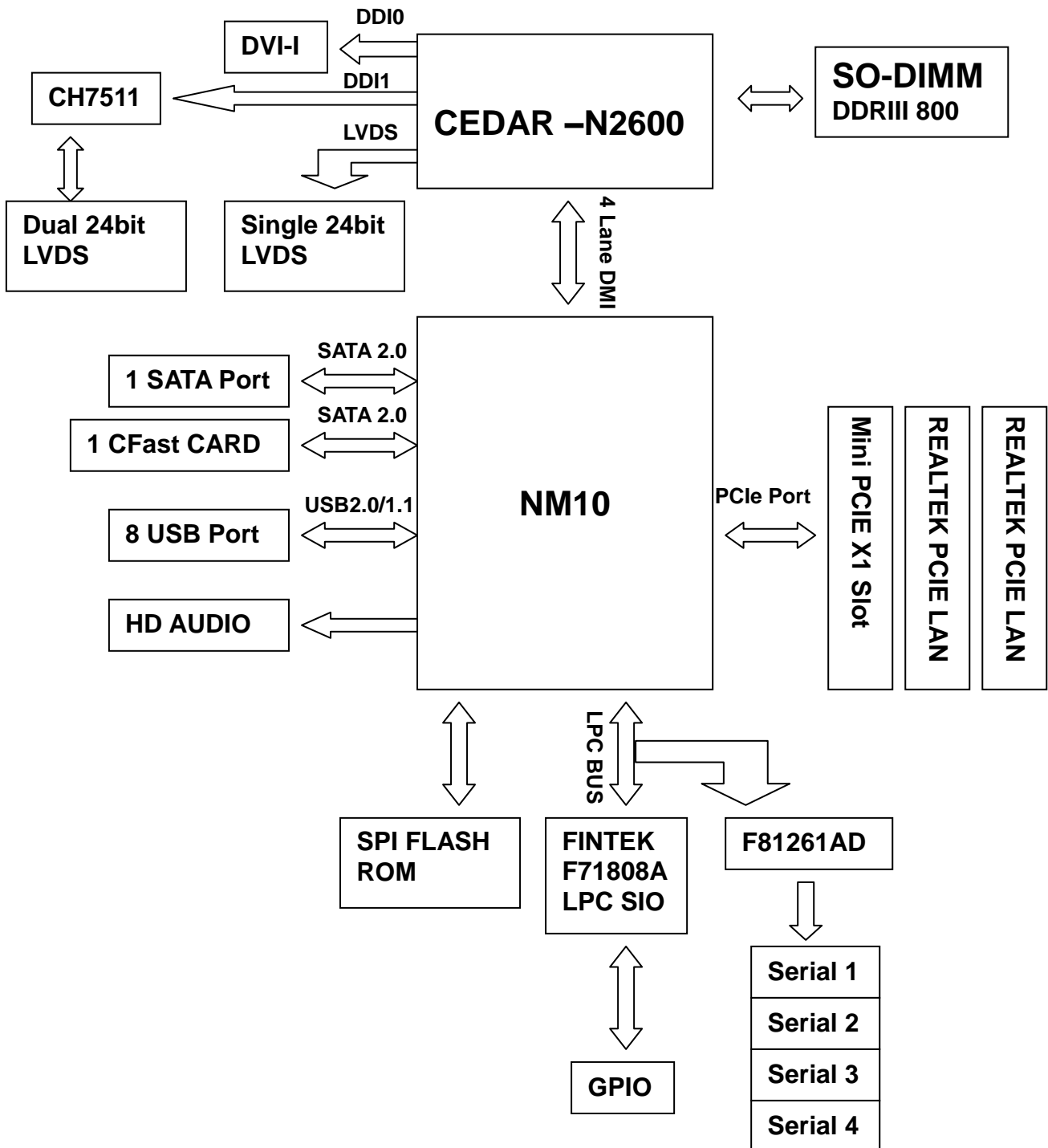
*dimensions BOX 245 (9.64") x 145 (5.7") x 60 (2.36")*

**Your problem is our challenge. When Your mission is critical ....  
Make your life simpler by utilizing NCS' 38 plus years of experience.  
All of our Systems are designed to operate in very hostile environments.  
Systems available with CPUs Atom 270, 2600 and Baytrail MD.**



<http://www.ncs-computer.com>

## Block Diagram

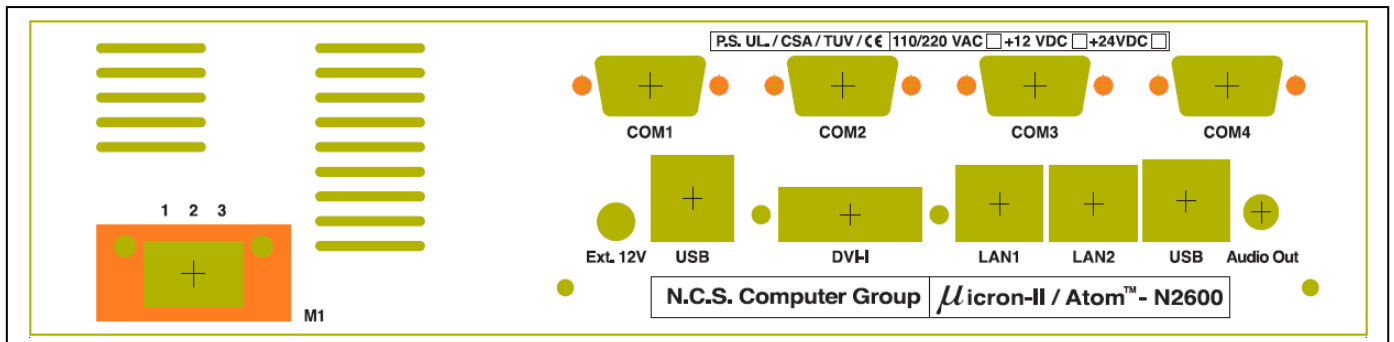


## Features

Spec	Description
Model	N2600
Design	● 3.5" SBC (102mm X 148mm)(4.00" x 5.83")
Chipset	● Intel® NM10 Express chipset
Embedded CPU	Support Intel® Cedar Trail M-N2600 / 1.6GHz
Memory Slot	● 1 * 200-pin DDRIII SODIMM Slot for un-buffered Single Channel DDRIII 800 MHz SDRAM Expandable to 2GB
Expansion Slots	● CFast card slot x1 ● Mini-PCI E slot x1
Dual LAN	● Integrated with dual Realtek RTL8111E PCI-E Gigabit LAN chip. ● Support Fast Ethernet LAN function of providing 10/100/1000Mbps Ethernet data transfer rate
HD Audio	● Realtek ALC662-GR 2-channel HD Audio Codec integrated ● Audio driver and utility included
BIOS	● AMI 16MB Flash ROM
Rear I/O	● DC12V power-in connector x1 ● USB 2.0 port x 4 ● DVI-I port x1 ● RJ-45 LAN port x2 ● Audio Line out connector x1
Internal I/O	● 9-pin USB 2.0 header x1 (Expansible to 2* USB 2.0 ports) ● 4pin USB 2.0 header x1 (Expansible to 1*USB 2.0 port) ● Front panel audio header x1 ● SPDIF _out header x1 ● CIR header x1 ● Front panel header x1 ● SATAII port & SATA Power connector x1 ● Serial port header x4 & TX-RX COM header x1 ● LVDS connector x2 & LVDS inverter x2 ● GPIO header x1 ● CPU FAN header x1



Power SBC	DC connector	DC +12V Input
Power System	DC/DC or AC/DC	+12Vdc / +24Vdc / -48Vdc / 110-220Vac
Watchdog Timer	Interval	Programmable 1~255 sec./min.
	Output	System reset
Environment	Operating Temp.	-5°C~ 65°C (23°F ~ 140°F)
	Storage Temp.	-20°C~ 80°C (-4°F ~ 176°F)
	Relative Humidity	0%~ 95% (non-condensing)
Form Factor	Dimension (L x D x H)	<b>245 (9.64") x 145 (5.7") x 60 (2.36")</b>



### Copyright


The information in this document is subject to change without prior notice in order to improve reliability, design and function and does not represent a commitment on the part of the manufacturer.

In no event will the manufacturer be liable for direct, indirect, special, incidental, or consequential damages arising out of the use or inability to use the product or documentation, even if advised of the possibility of such damages.

This document contains proprietary information protected by copyright. All rights are reserved. No part of this manual may be reproduced by any mechanical, electronic, or other means in any form without prior written permission of the manufacturer.

### TRADEMARKS

All registered trademarks and product names mentioned herein are used for identification purposes only and may be trademarks and/or registered trademarks of their respective owners.



## N.C.S. Computer Group *(since 1975)* ISO 9001

**N.C.S. Computer Italia S.r.l.** (dal 1975) - Via Della Prava, 18 - 21010 Cardano al Campo (Varese) Italia

*N.C.S. Group* – società italiana, fondata nel 1975, progetta e produce computers e sistemi per applicazioni industriali, militari (non armi), marine ed avioniche.

Registro Imprese di Varese/C.F./ P.IVA 01734580127 - cap. soc. € 52.000,00 i.v. - Rea CCIAA di Varese n. 204521

Tel +39 0331-263975 r.a. - [sales@ncscomputer.191.it](mailto:sales@ncscomputer.191.it) - [ncsgroup@pcart.postecent.it](mailto:ncsgroup@pcart.postecent.it) - [sales@ncs-computer.com](mailto:sales@ncs-computer.com) - [www.ncs-computer.com](http://www.ncs-computer.com)

**N.C.S. Computer North America Inc.** (since 1975) - P.O. BOX 21032 RPO MEADOWVALE, Mississauga - ONTARIO - CANADA

Ph. +001 416-543-2826 [peter@ncs-computer.com](mailto:peter@ncs-computer.com) - [www.ncs-computer.com](http://www.ncs-computer.com)

*N.C.S. Group*, was founded in 1975, designs and manufactures computers and systems for Industrial, Military (not weapons), Marine and Avionic automation markets.