

# NCS Industrial

Committed to excellence since 1975.

## PCs

### Industrial and Marine Systems

*For industrial, military, telecommunications and Marine applications. The lightweight **XEON-BOX/D 8c** is housed in a billet aluminum enclosure with sealed connectors. Multiple mounting options allow for easy integration into confined spaces*



*Rugged Completely Sealed **IP65 NEMA4/4X**, dust/water resistant protection, anti-shock and vibration, wide range operating temperature, **Xeon-BOX/D™ 1.6 GHz - 8 cores - 16 thread 4LAN / 1 or 2 FIBER - PS +12 Vdc**, Operating Temperature **-40°C to +85°C**  
Small dimensions of box : **W=200 (7.87") x H=66.6 (1.5U) x D=250mm (9.84")***

*Your problem is our challenge. When Your mission is critical ....*

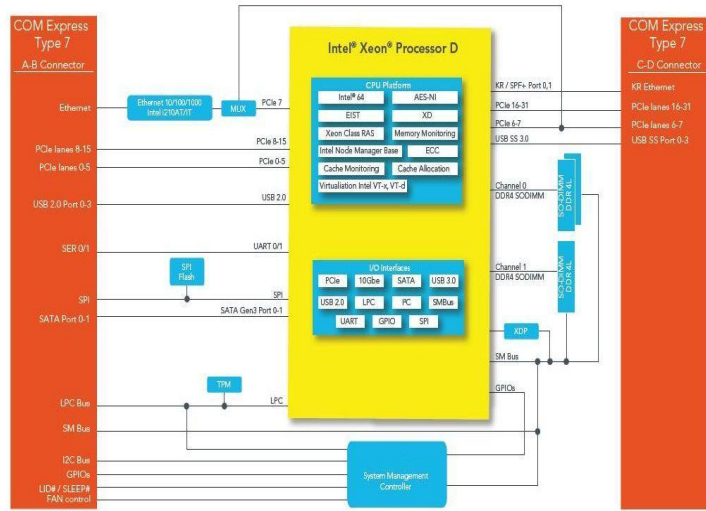
*Make your life simpler by utilizing NCS' 43 plus years of experience.*

*All of our Systems are designed to operate in very hostile environments.*

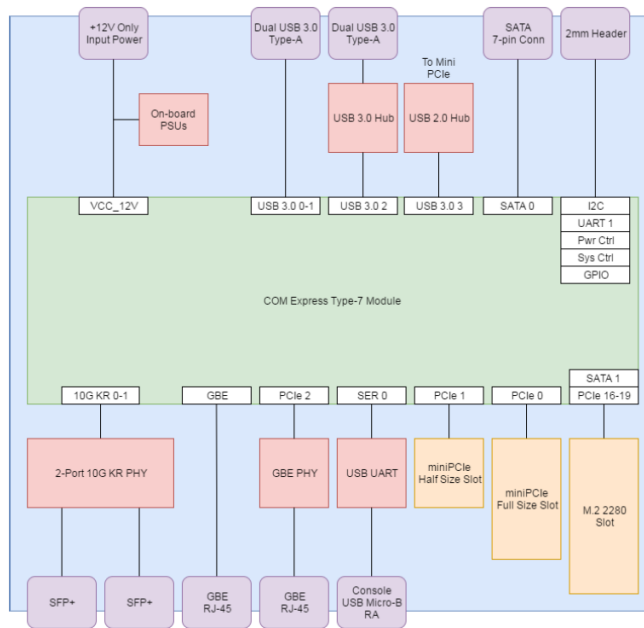
**Completely Sealed IP65/NEMA4/4X XEON-BOX**

# Block Diagram

## Block Diagram



## Block Diagram



Available 19"/1.5U aluminum bezel with holes for to mount two **Xeon-BOX/D** on rack



Completely Sealed IP65/NEMA4/4X XEON-BOX

## Features


	Description	
<b>Model</b>	<ul style="list-style-type: none"> <li><b>Rugged Completely Sealed IP65/NEMA4X mod. Xeon-BOX/D</b></li> </ul>	
System Processor	<b>Processor</b>	<b>XEON D-1539™</b> 1.6GHz/2.2GHz Burst <b>8 Cores</b> 12MB cache (35W TDP)
	<b>CHIP SET</b>	integrated in SoC
	<b>BIOS</b>	Based on AMI Aptio UEFI
Memory	<b>Max. Capacity</b>	<b>Up to 48GB</b>
	<b>Socket</b>	3 x SO-DIMM 260-pin DDR4 2400MHz ECC/non-ECC
Display (option)	<b>CPU graphic</b>	SiliconMotion SM750 16MB DDR SDRAM
	<b>Video memory</b>	16MB DDR SDRAM
	<b>DVI Resolution</b>	Up to 1280 x 1024, 60Hz
	<b>VGA Resolution</b>	Up to 1280 x 1024, 60Hz
4 LAN Ethernet	<b>2 x 1GbE</b>	Dual 1GbE RJ45 LAN 10/100/1000Mbps
	<b>2 x 10GbE</b>	Dual 10GbE (via SFP+cages) <b>RJ45 LAN or 1-2 FIBER</b>
Audio	<b>Controller</b>	Realtek ALC662 HD CODEC - High Definition Audio
	<b>Max. Data</b>	6 GB/s
SATA III	<b>Port</b>	1
Expansion Slot	<b>Mini-PCI-e</b>	1 x full size + 1 x half size Mini PCIe ( USB + PCIe)
Storage	<b>M.2</b>	Ultra high speed storage 1 x M.2 2280 SSD up to 512GB
I/O	<b>USB 3.0</b>	4
	<b>COM ports</b>	1 x CPU Console UART + 1 General purpose UART
	<b>LAN</b>	2 (RJ-45)
	<b>Digital IO</b>	8Bit x 3V3 buffered GPIO (4 IN+4 OUT)
Power SBC	<b>1 x 4 connector</b>	DC +12V Input
Power System	<b>Ext. DC/DC or AC/DC</b>	+9Vdc to +24Vdc (opt. DC/DC -48Vdc or AC/DC 110-220Vac)
Watchdog Timer		Run time watchdog
	<b>Output</b>	System reset
Environment	<b>OperatingTemp</b>	Std. <b>-20°C ~ 70°C</b> opt. <b>-40°C ~ 85°C</b> (-40°F ~ 185°F)
	<b>Storage Temp</b>	-20°C ~ 80°C (- 4°F ~ 176°F)
	<b>RH</b>	5%~ 95% (non-condensing)
Form Factor	<b>Dimension</b>	<b>W=200mm (7.87") x H=66.6mm (1.5U) x D=250mm (9.84")</b>

### Copyright

The information in this document is subject to change without prior notice in order to improve reliability, design and function and does not represent a commitment on the part of the manufacturer. In no event will the manufacturer be liable for direct, indirect, special, incidental, or consequential damages arising out of the use or inability to use the product or documentation, even if advised of the possibility of such damages. This document contains proprietary information protected by copyright. All rights are reserved. No part of this manual may be reproduced by any mechanical, electronic, or other means in any form without prior written permission of the manufacturer.

### TRADEMARKS

All registered trademarks and product names mentioned herein are used for identification purposes only and may be trademarks and/or registered trademarks of their respective owners.

	<h2>N.C.S. Computer Group</h2> <p>(since 1975) ISO 9001</p>	
<p><b>N.C.S. Computer Italia S.p.A.</b> (dal 1975) - Via Della Prava, 18 - 21010 Cardano al Campo (Varese) Italia</p> <p><b>N.C.S. Group</b> - società italiana, fondata nel 1975. Progetta e produce computers e sistemi per applicazioni industriali, militari (non armi), marine ed avioniche.</p> <p>Registro Imprese di Varese/C.F./ P.IVA (VAT) 01734580127 - cap. soc. € 52.000,00 i.v. - Rea C.C.I.A.A di Varese n. 204521</p> <p>Tel +39 0331-263975 r.a. - <a href="mailto:sales@ncscomputer.191.it">sales@ncscomputer.191.it</a> - <a href="mailto:ncsgroup@pcent.posteccc.it">ncsgroup@pcent.posteccc.it</a> - <a href="mailto:sales@ncs-computer.com">sales@ncs-computer.com</a> - <a href="http://www.ncs-computer.com">www.ncs-computer.com</a></p> <p><b>N.C.S. Computer North America Inc.</b> (since 1975) - P.O. BOX 21032 RPO MEADOWVALE, Mississauga - ONTARIO - CANADA</p> <p>Ph. +001 416-543-2826 <a href="mailto:peter@ncs-computer.com">peter@ncs-computer.com</a> - <a href="http://www.ncs-computer.com">www.ncs-computer.com</a></p> <p><b>N.C.S. Group</b>, was founded in 1975, designs and manufactures computers and systems for Industrial, Military (not weapons), Marine and Avionic automation markets.</p>		

Completely Sealed IP65/NEMA4/4X XEON-BOX