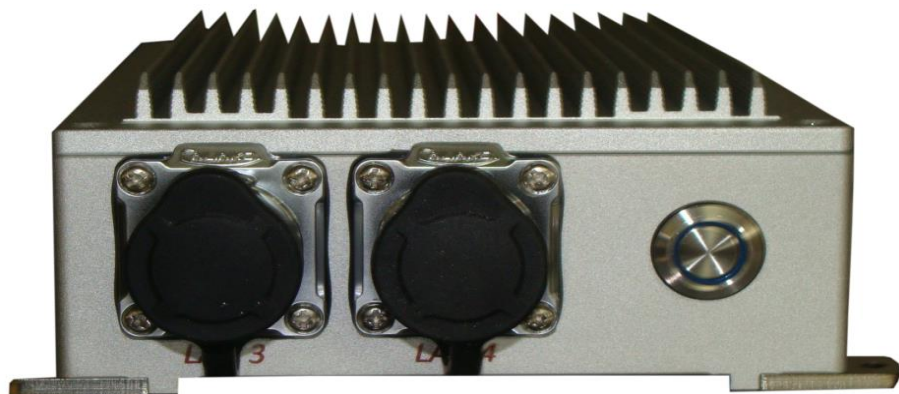


NCS Industrial Computers

Committed to excellence since 1975

SMALL and RUGGED IP65 i7-8665 4c for industrial, military and Marine applications. The lightweight NANO-BOX/i7 is very small but powerful system, in a IP65 rugged aluminum enclosure with sealed connectors. Multiple mounting options allow for easy integration into confined spaces.



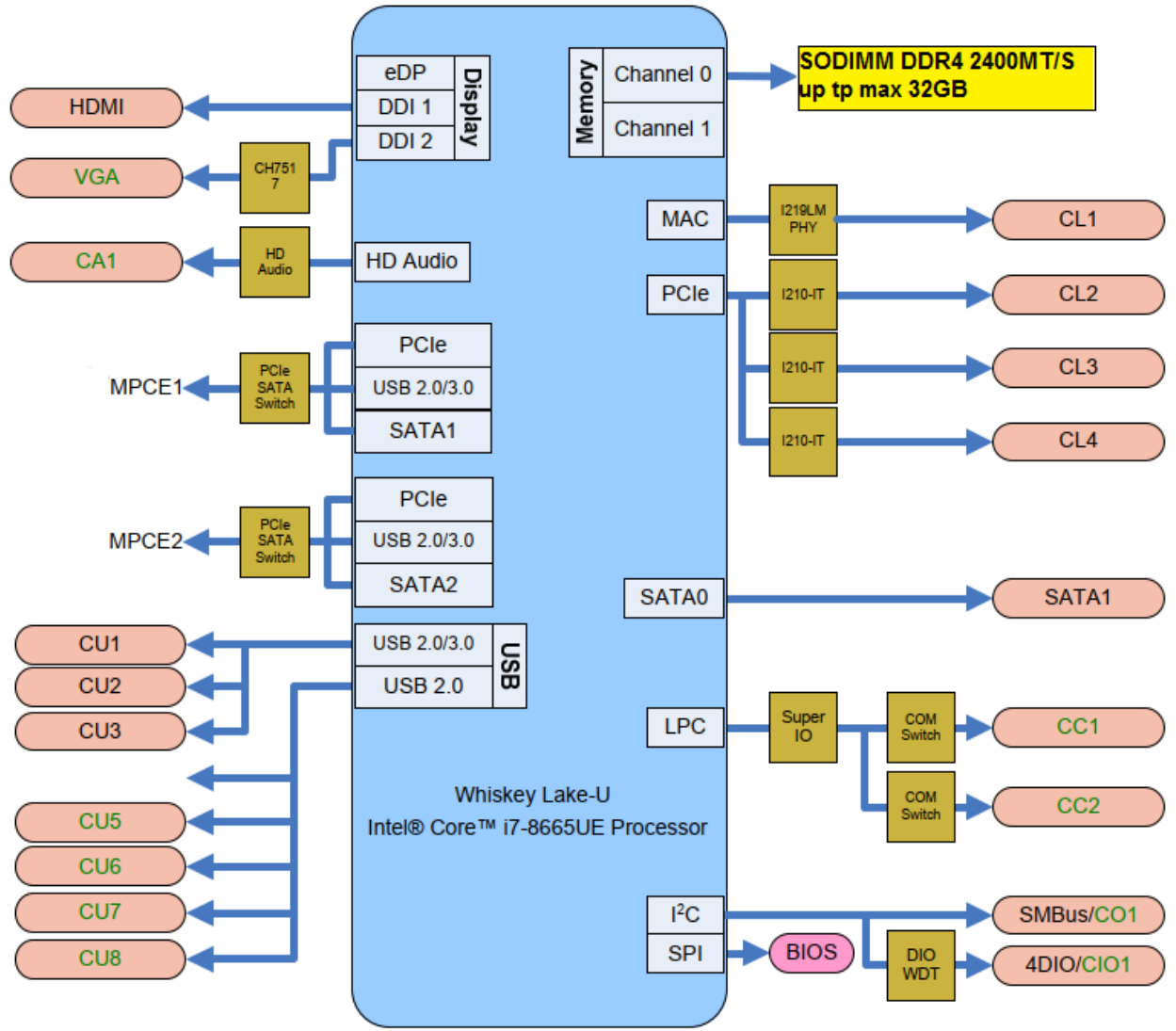
Rugged Completely Sealed IP65 NEMA4/4X, dust/water resistant protection, wide range operating temperature, **NANO-BOX/i7-8665 4 Cores**

PS +12 Vdc, Operating Temperature -40°C to + 70°C

Small dimensions of box : W=130 (5,11") x H=59 (2,32") x D=180mm (7,08")

**Your problem is our challenge. When Your mission is critical
Make your life simpler by utilizing NCS' 45 plus years of experience.
All of our Systems are designed to operate in very hostile environments.**

Block Diagram



NANO-BOX i7-8665 side front and rear



NANO-BOX i7-8665 internal connectors protected from IP65 aluminum door

Features

	Description	
Model	<ul style="list-style-type: none"> Rugged Completely Sealed IP65/NEMA4X mod. NANO-BOX/i7 4c 	
System Processor	PROCESSOR	Intel® Whiskey Lake-U i7-8665 1.7GHz / 4.4GHz (Quad core)
	CHIP SET	Intel® Whiskey Lake-U SoC
	BIOS	Based on AMI Aptio UEFI
Memory	Socket	1 x DDR4 2400 / 2133 MHz SODIMM
	Max. Capacity	Up to 32GB
Display (option)	graphic	Intel® UHD Graphics 620, Support DirectX 12 & OpenGL 4.5
	Video memory	16MB DDR SDRAM
	HDMI Resolution	1 x HDMI support max. resolution 4096 x 2304 no used on this
	VGA Resolution	1 x VGA support max. resolution 1920 x 1080
4 LAN Ethernet	3 x 1GbE	3 x I210 IT 1GbE RJ45 LAN 10/100/1000Mbps
	1 x 1GbE	1 x I219LM 1GbE RJ45 LAN 10/100/1000Mbps
Audio	Controller	High Definition Audio Specification, Support Line-out/Mic-in/Line-
	Max. Data	6 GB/s
SATA III	Port	1 x 2.5" SSD up to 4TB
Expansion Slot	Mini-PCI-e	2 x Half size mini card for PCIe / mSATA / USB 3.0 / USB 2.0
Storage	SSD	Ultra high speed storage 1 x miniPCIe SSD up to 1TB
I/O	USB 3.0	3 x USB 3.0 ; 4 x USB 2.0
	COM ports	2 x RS232 / 422 / 485 (internal)
	LAN	4 (RJ-45)
	Digital IO	Hardware digital Input & Output, 4 x DI / 4 x DO
Power SBC	1 x 4 connector	DC +12V Input
Power System	Ext. DC/DC or AC/DC	+9Vdc to +24Vdc (option : -48Vdc / 110-220Vac)
Watchdog Timer		Hardware Watch Dog Timer, 0~255 sec programmable
	Output	System reset
Environment	Operating Temp	-20°C ~ 70°C
	Storage Temp	-20°C ~ 80°C
	RH	5%~ 95% (+25°C non-condensing)
Form Factor	Dimension	W=130 (5,11") x H=59 (2,32") x D=180mm (7,08")


On rear side, IP65 with illuminated push button for shutdown

Copyright


The information in this document is subject to change without prior notice in order to improve reliability, design and function and does not represent a commitment on the part of the manufacturer. In no event will the manufacturer be liable for direct, indirect, special, incidental, or consequential damages arising out of the use or inability to use the product or documentation, even if advised of the possibility of such damages. This document contains proprietary information protected by copyright. All rights are reserved. No part of this manual may be reproduced by any mechanical, electronic, or other means in any form without prior written permission of the manufacturer.

TRADEMARKS

All registered trademarks and product names mentioned herein are used for identification purposes only and may be trademarks and/or registered trademarks of their respective owners.



N.C.S. Computer Group (since 1975) ISO 9001



N.C.S. Computer Italia S.r.l. (dal 1975) - Via Della Prava, 18 - 21010 Cardano al Campo (Varese) Italia

N.C.S. Group - società italiana, fondata nel 1975. Progetta e produce computers e sistemi per applicazioni industriali, militari (non armi), marine ed avioniche.

Registro Imprese di Varese/C.F./ P.IVA (VAT) 01734580127 - cap. soc. € 52.000,00 i.v. - Rea CCIAA di Varese n. 204521

Tel +39 0331-263975 r.a. - sales@ncscomputer.191.it - ncsgroup@pcent.postecert.it - sales@ncs-computer.com - www.ncs-computer.com

N.C.S. Computer North America Inc. (since 1975) - P.O. BOX 21032 RPO MEADOWVALE, Mississauga - ONTARIO - CANADA

Ph. +001 416-543-2826 peter@ncs-computer.com - www.ncs-computer.com

N.C.S. Group, was founded in 1975, designs and manufactures computers and systems for Industrial, Military (not weapons), Marine and Avionic automation markets.